

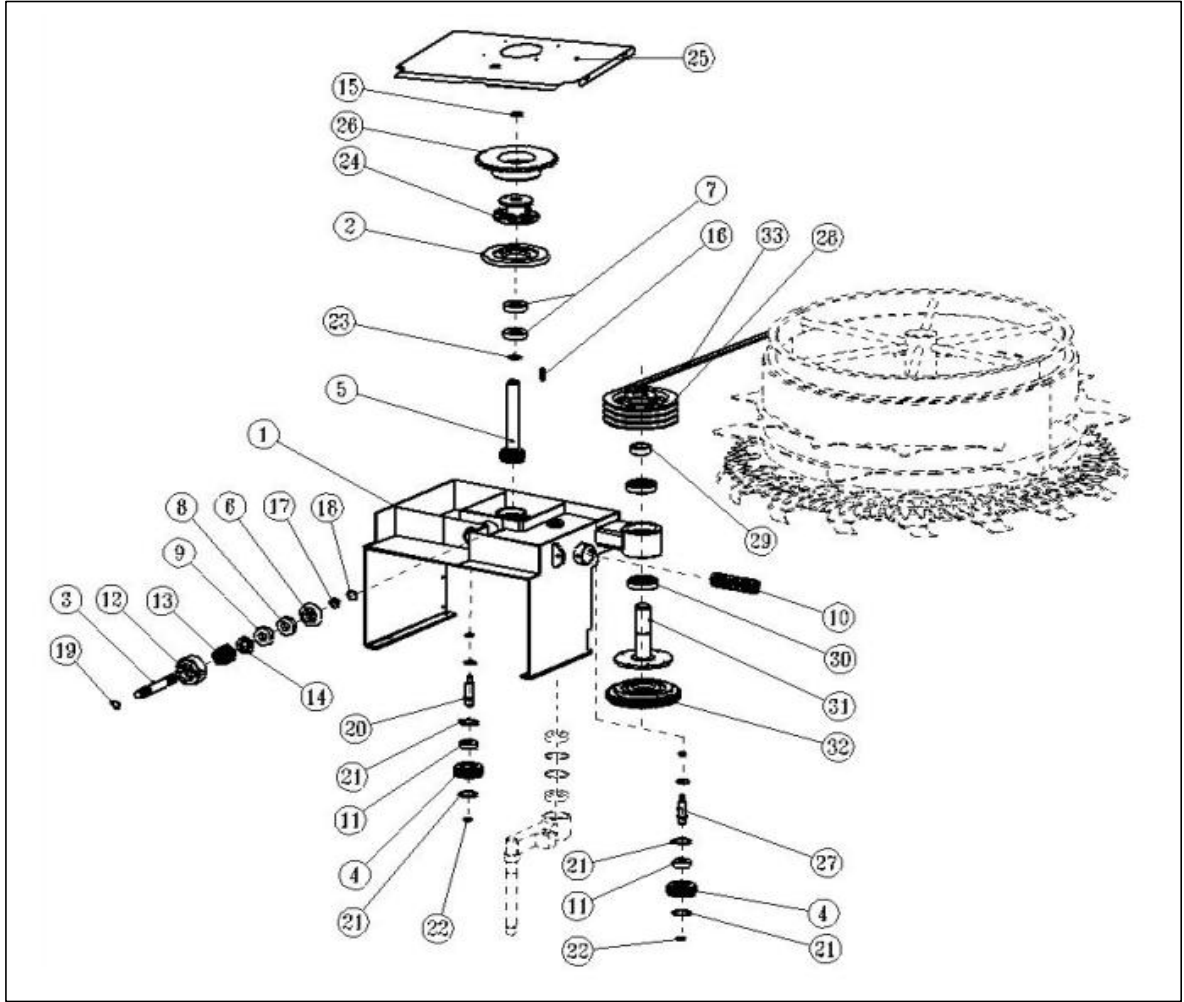


# ROW INDEPENDENT CHOPPER

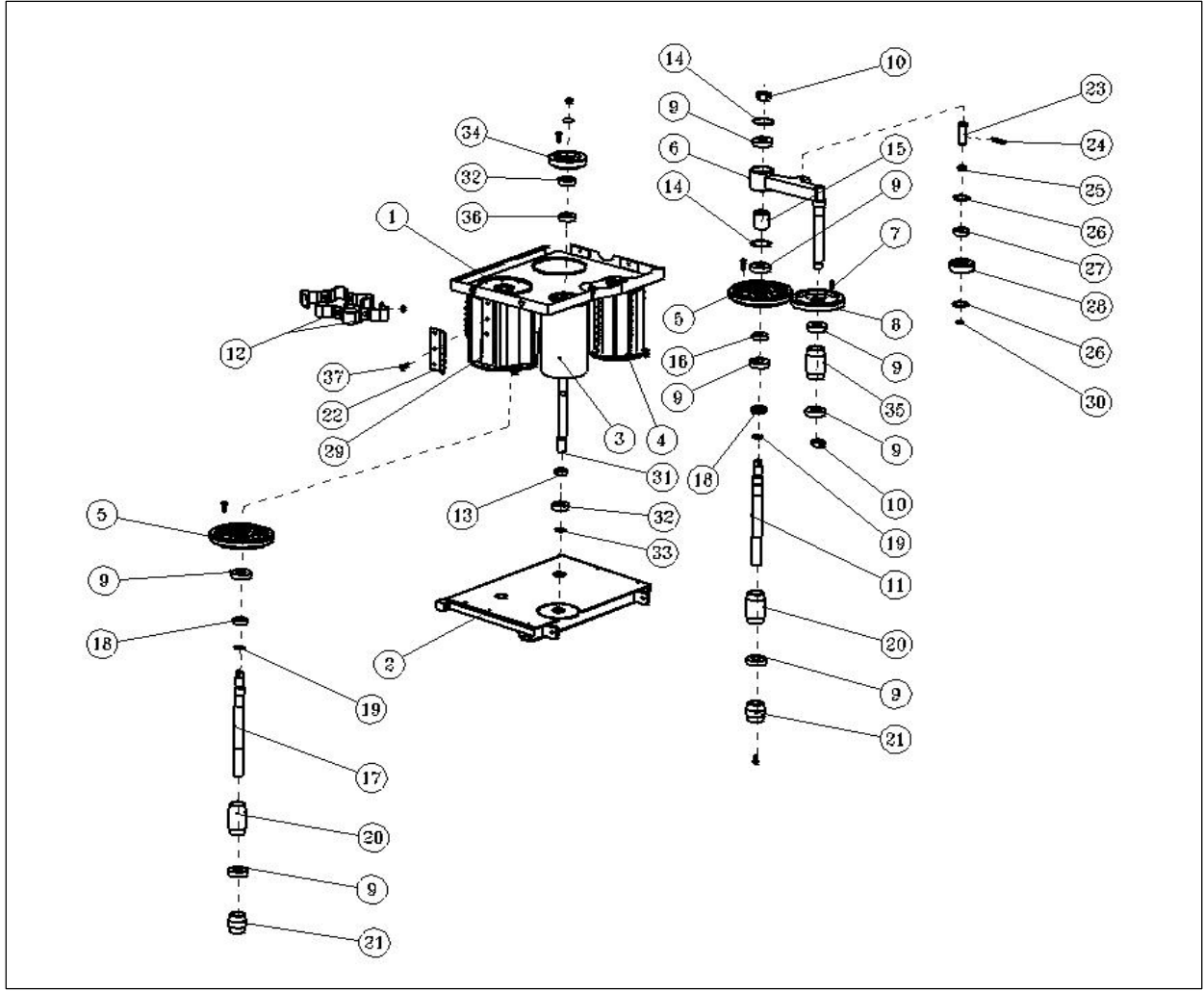
## SPARE PARTS CATALOG

**ADRES:** Fimaks Makina A.Ş.  
Bursa yolu 2.km DSİ Karşısı  
Karacabey-BURSA  
**TEL:** 0.224.6623743  
**FAX:** 0.224.6623747

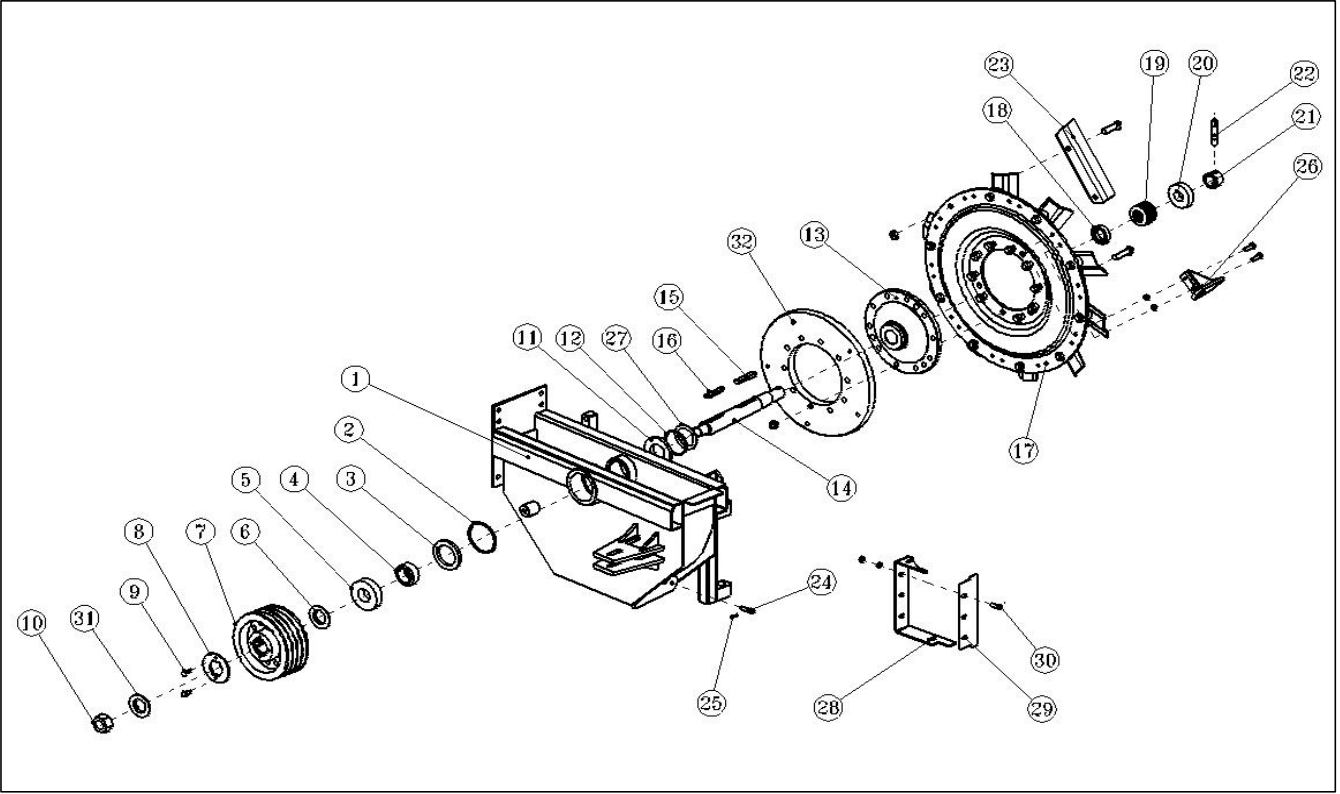
**Internet:** [www.fimaks.com](http://www.fimaks.com)  
**E-mail:** [info@fimaks.com](mailto:info@fimaks.com)



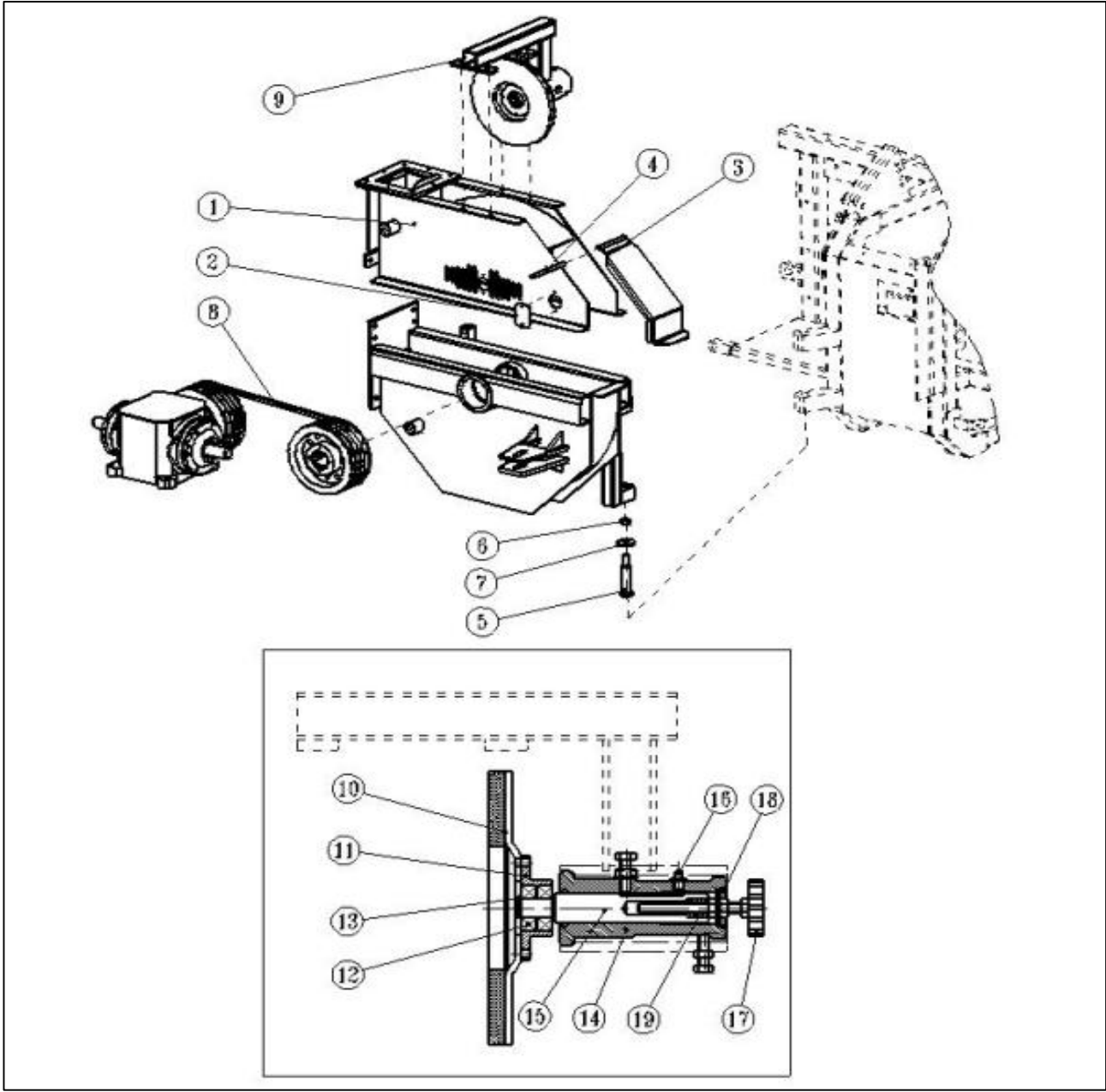
No	Referans / Reference	Adet / Qty	TÜRKÇE	ENGLISH
			Parça Adı	Description
SBMS / A1	48.10.02.00.000	1	MERDANE KAPORTASI KOMPLE	Drum Housing Complete
SBMS / A2	01.01.00.00.004	1	CARK KONİK DİSLİ	Conical Gear
SBMS / A3	01.01.00.00.002	1	KAPLİN KAMALI MİLİ	Coupling Shaft With Keyway
SBMS / A4	01.01.00.00.011	2	Z20 DUZ DİSLİ	Gear Z20
SBMS / A5	48.10.00.00.004	1	Z16 CARK DİSLİ MİLİ	Gear with shaft Z16
SBMS / A6	01.01.00.00.005	1	PİNYON KONİK DİSLİ	Pignon Gear
SBMS / A7	100R.6207 2RS	2	6207 2RS RULMAN	6207 2RS Bearing
SBMS / A8	100R.6205 2RS	1	6205 2RS RULMAN	6205 2RS Bearing
SBMS / A9	100R.6205 2RS	1	6205 2RS RULMAN	6205 2RS Bearing
SBMS / A10	01.01.00.00.015	1	BASKI YAYI	Spring
SBMS / A11	100R.6204 2RS	3	6204 2RS RULMAN	6204 2RS Bearing
SBMS / A12	01.01.00.00.001	1	KAPLİN	Coupling
SBMS / A13	01.01.00.00.013	1	KAPLİN YAYI	Coupling Spring
SBMS / A14	01.01.00.00.003	1	BASKI PULU	Washer
SBMS / A15	100SG.471 Ø35	1	Ø35 DIS SEGMAN	Ø30 Ring DIN 471
SBMS / A16	100KM.7x8x30	1	7x8x30 KAMA	7x8x30 mm Key
SBMS / A17	01.01.00.00.017	1	DİSLİ MESAFE PULU	Gear Spacer Washer
SBMS / A18	01.01.00.00.032	1	KAPLİN TEL SEGMANI	Coupling Ring
SBMS / A19	100SG.471 Ø25	1	Ø25 DIS SEGMAN	Ø25 Ring DIN 471
SBMS / A20	01.01.00.00.009	2	PERNO	Shaft
SBMS / A21	100SG.472 Ø47	6	Ø47 IC SEGMAN	Ø47 Ring DIN 472
SBMS / A22	100SG.471 Ø20	3	Ø20 DIS SEGMAN	Ø20 Ring DIN 471
SBMS / A23	100P.Ø42xØ30x1	1	Ø42xØ30x1 LAYNER	Ø30xØ42x1 mm Spacer DIN 988
SBMS / A24	01.01.00.00.006	1	CARK DİSLİ KAPLİNİ	Gear Coupling
SBMS / A25	48.10.00.00.006	1	ÖN GRUP TOZ KAPAGI	Cover for front unit
SBMS / A26	48.10.00.00.003	1	Z35 3/4" ZİNCİR DİSLİ	Sprocket Z35 3/4
SBMS / A27	48.10.00.00.005	1	UZUN PERNO	Long perno
SBMS / A28	48.10.00.00.001	1	Ø200 KASNAK TAMBUR AKTARIM	Pulley Ø200
SBMS / A29	48.10.00.00.002	1	KASNAK ARA BURCU	Bush for pulley
SBMS / A30	100R.6208	2	6208 RULMAN	6208 Bearing
SBMS / A31	48.10.04.00.000	1	KASNAK MİLİ	Shaft of Pulley
SBMS / A32	01.01.00.00.020	1	Z55 DUZ DİSLİ	Gear Z55
SBMS / A33	SBMS / A33 17V KAYIS	3	17x2850 V KAYIS	V-Belt 17X2850



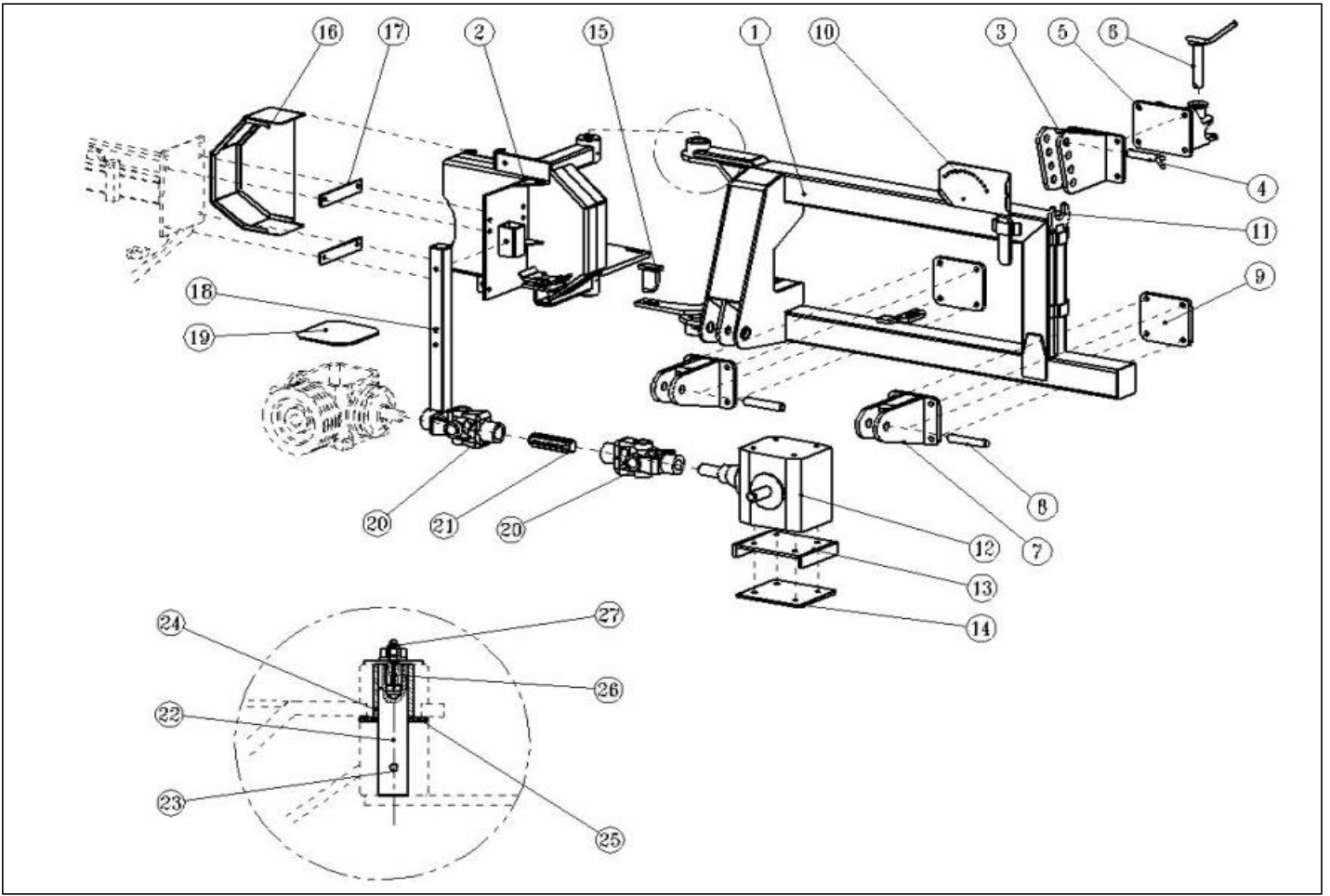
No	Referans / Reference	Adet / Qty	TÜRKÇE	ENGLISH
			Parça Adı	Description
SBMS / B1	48.10.05.00.000	1	ARA MUHAFAZA KOMPLE	In Between Cover Complete
SBMS / B2	48.10.01.00.000	1	ALT SASE SACI KOMPLE	Drum Lower Chasis Complete
SBMS / B3	01.01.04.00.000	1	DUZ TAMBUR KOMPLE	Flat Drum Complete
SBMS / B4	01.01.05.00.000	1	EZİCİ TAMBUR KOMPLE	Drum Toothed
SBMS / B5	01.01.00.00.020	2	Z55 DUZ DİSLİ	Gear Z55
SBMS / B6	01.01.06.00.000	1	EZİCİ TAMBUR KOLU	Drum Holder Complete
SBMS / B7	100Y.Ø10x30	6	Ø10x30 YARIKLI PİM	Ø10x30 PIN
SBMS / B8	01.01.00.00.018	1	Z46 DUZ DİSLİ	Gear Z46
SBMS / B9	100R.6206 2RS	8	6206 2RS RULMAN	6206 2RS Bearing
SBMS / B10	100S.M25x1.5	2	M25x1.5 SOMUN	M25x1.5 Nut DIN 934
SBMS / B11	01.01.00.00.022	1	UZUN ÖN MİL	Long Front Shaft
SBMS / B12	01.01.00.00.026	4	TAMBUR ALT PALEDİ	Drum Pallets
SBMS / B13	01.01.00.00.028	2	FATURALI SEGMAN PULU	Washer of ring
SBMS / B14	100SG.472 Ø62	2	Ø62 İC SEGMAN	Ø62 Ring DIN 472
SBMS / B15	01.01.06.00.008	1	EZİCİ TAMBUR RULMAN ARA BURCU	Drum Bearing Pipe
SBMS / B16	01.01.06.00.009	1	MESAFE BURCU	Spacer
SBMS / B17	01.01.00.00.021	1	KISA ÖN MİL	Short Front Shaft
SBMS / B18	01.01.00.00.027	2	ÖN MİL SEGMAN PULU	Front shaft washer of ring
SBMS / B19	01.01.00.00.031	2	ÖN MİL TEL SEGMANI	Front shaft ring
SBMS / B20	01.01.00.00.024	2	STOPLAMA ARA BORUSU	Stopper Middle Pipe
SBMS / B21	01.01.00.00.023	2	ALT MESAFE BORUSU	Spacer Pipe
SBMS / B22	01.01.07.00.004	6	ÖN TAMBUR TIIRNAGI	Toothed Metal
SBMS / B23	01.01.06.00.007	1	DÜZ PERNO	Flat perno
SBMS / B24	100Y.Ø8x30	1	Ø8x30 YARIKLI PİM	Ø8x30 PIN
SBMS / B25	01.01.06.00.010	1	Z20 DİSLİ BURCU	Z20 Gear Pipe
SBMS / B26	100SG.472 Ø47	2	Ø47 İC SEGMAN	Ø42 Ring DIN 472
SBMS / B27	100R.6204 2RS	1	6204 2RS RULMAN	6204 2RS Bearing
SBMS / B28	01.01.00.00.011	1	Z20 DÜZ DİSLİ	Gear Z20
SBMS / B29	48.10.03.00.000	2	ÖN TAMBUR KOMPLE	Front Drum Complete
SBMS / B30	100SG.471 Ø20	1	Ø20 DİS SEGMAN	Ø20 Ring DIN 471
SBMS / B31	01.01.00.00.014	1	DÜZ TAMBUR MİLİ	Flat Drum Shaft
SBMS / B32	100R.6205 2RS	2	6205 2RS RULMAN	6205 2RS Bearing
SBMS / B33	01.01.00.00.033	2	DÜZ TAMBUR TEL SEGMANI	Flat Drum ring
SBMS / B34	01.01.00.00.012	1	Z31 DUZ DİSLİ	Gear Z31
SBMS / B35	01.01.00.00.019	1	STOPLAMA BORUSU	Stopper Pipe
SBMS / B36	01.01.00.00.016	1	DÜZ SEGMAN PULU	Flat washer of ring
SBMS / B37	100C.M10x25 FLNS	18	M10x25 FLANSLI CIVATA	M10x25 Special Bolt



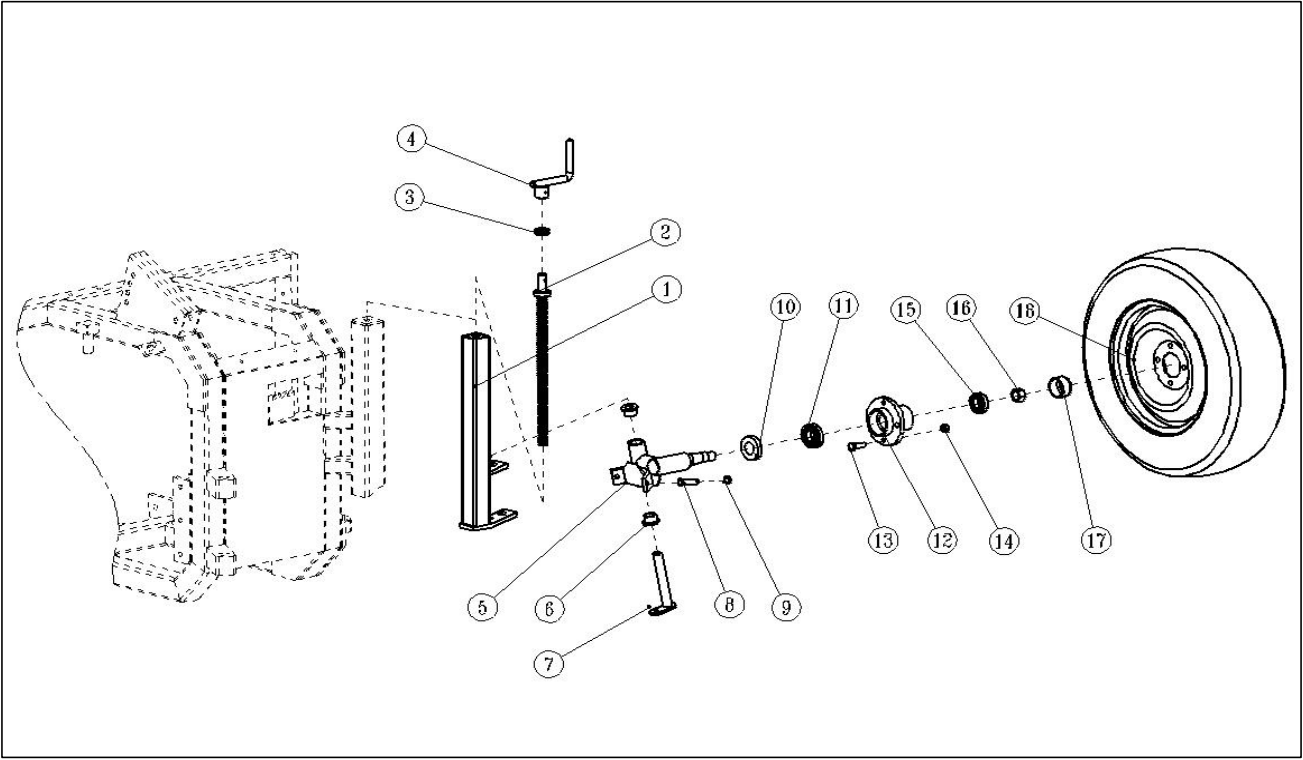
No	Referans / Reference	Adet / Qty	TÜRKÇE	ENGLISH
			Parça Adı	Description
SBMS / C1	48.11.01.00.000	1	FAN ALT MUHAFAZA	Lower Fan Cover Complete
SBMS / C2	100SG.472 Ø100	1	Ø100 İC SEGMAN	Ø100 Ring DIN 472
SBMS / C3	100KC.100x70x10	1	Ø100xØ70x10 KECE	Ø100xØ70x10 Seal
SBMS / C4	01.02.00.00.007	1	ARKA KECE BURCU	Rear Seal Pipe
SBMS / C5	100R.6309 Z	1	6309 Z RULMAN	6309 Z Bearing
SBMS / C6	01.02.00.00.006	1	KONİK PUL	Conical Washer
SBMS / C7	48.11.00.00.001	1	KUCUK KASNAK	Small Pulley
SBMS / C8	01.02.00.00.004	1	EMNİYET PULU	Shear Bolt
SBMS / C9	100C.M8x30	2	M8X30 CİVATA	M8x30 Bolt DIN 601
SBMS / C10	01.02.00.00.002	1	KASNAK SOMUNU	Pulley Nut
SBMS / C11	100KC.80x60x10	1	Ø80xØ60x10 KECE	Ø80xØ60x10 Seal
SBMS / C12	100SG.472 Ø80	3	Ø80 İC SEGMAN	Ø80 Ring DIN 472
SBMS / C13	01.02.00.00.011	1	FAN GOBEGİ	Fan Middle
SBMS / C14	01.02.01.00.001	1	FAN MİLİ	Fan Shaft
SBMS / C15	100KM.9x14x105	1	9x14x105 mm KAMA	9x14x105 mm Key
SBMS / C16	100KM.9x14x80	1	9x14x80 mm KAMA	9x14x80 mm Key
SBMS / C17	01.02.02.00.001	1	FAN SACI	Flywheel
SBMS / C18	01.02.01.00.003	1	ON KECE BURCU	Front Seal Pipe
SBMS / C19	01.02.01.00.004	8	TABAK PUL	Spring Washer
SBMS / C20	100R.6307Z	1	6307 Z RULMAN	6307 Z Bearing
SBMS / C21	01.02.01.00.002	1	PİM BURCU	Pin Pipe
SBMS / C22	01.02.01.00.005	1	KAPLİN PİMİ	Coupling Pin
SBMS / C23	01.02.02.00.004	10	FAN BICAGI	Counter Blade
SBMS / C24	01.02.00.00.012	2	ALT MENTESE PİMİ	Pin for bottom support
SBMS / C25	100GP.Ø4x30	2	Ø4x30 GUPİLYA	Ø4x30 Pin
SBMS / C26	01.02.02.01.000	5	KANAT KOMPLE	Pallet
SBMS / C27	100P.Ø80xØ63x1	1	Ø80xØ63x1 LAYNER	Ø80xØ63x1 mm Spacer DIN 988
SBMS / C28	01.02.00.00.008	1	SABİT BİCAK	Fixed Knife
SBMS / C29	01.02.00.00.009	1	ŞİYİRİCİ	Scraper
SBMS / C30	100C.M10x30 MBDK	5	M10x30 Mercimek Ba şlı Dibi Kare	M10x30 Special Bolt
SBMS / C31	01.02.00.00.003	1	ARKA KASNAK PULU	Pulley Washer
SBMS / C32	01.02.02.00.005	1	FAN FLANSI	Support of flywheel



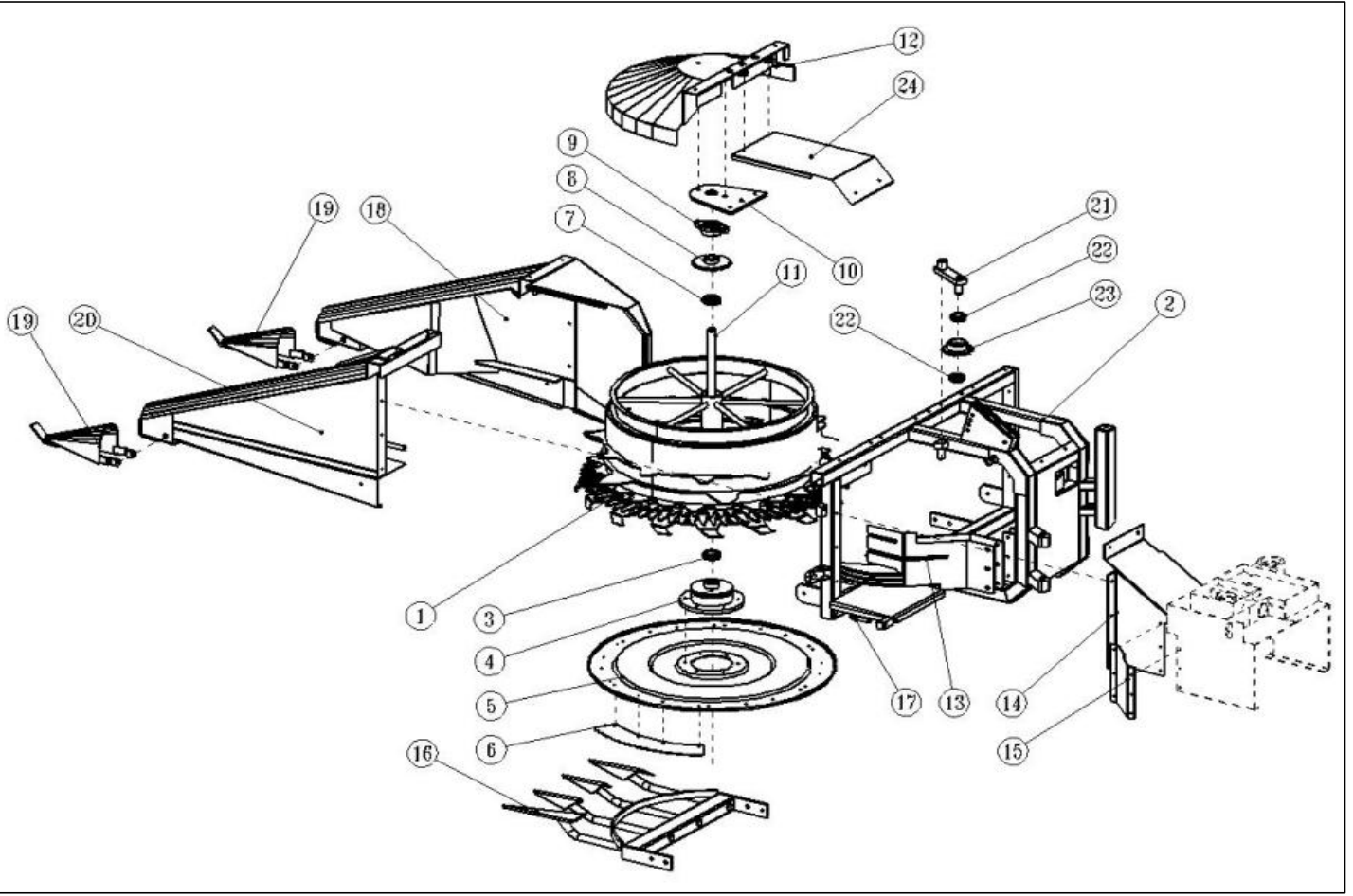
No	Referans / Referance	Adet / Qty	TÜRKÇE	ENGLISH
			Parca Adı	Description
SBMS / D1	48.11.02.00.000	1	FAN UST MUHAFAZA KOMPLE	Fan Upper Complete
SBMS / D2	01.02.04.00.006	2	KAPAK	Cover
SBMS / D3	48.11.02.01.000	1	FAN UST MUHAFAZA KAPAGI	Fan Upper Cover Complete
SBMS / D4	01.02.04.00.007	1	KAPAK PİMİ	Pin for cover
SBMS / D5	48.11.00.00.003	2	KASA BAGLANTI PİMİ	Pin for front housing
SBMS / D6	100S.M16 SOMUN	2	M16 SOMUN	M16 Nut
SBMS / D7	100P.M16 PUL	2	M16 PUL	M16 Washer
SBMS / D8	17 x 1550 mm V Kayıs	4	17 x 1550 mm V KAYIS	V-Belt 17X1550
SBMS / D9	48.11.03.01.000	1	TAS APARATI GOVDE	Housing for grinder
SBMS / D10	48.11.03.00.001	1	GREENLAND BİLEME TASI	Grinding Stone
SBMS / D11	48.11.03.00.002	1	TAS BAGLANTI GOBEGI	Stone holder
SBMS / D12	100R.6204	2	6204 RULMAN	6204 Bearing
SBMS / D13	100SG.471 Ø20	1	Ø20 DIS SEGMAN	Ø20 Ring DIN 471
SBMS / D14	48.11.03.00.005	1	MİL GOVDESİ	Shaft housing
SBMS / D15	48.11.03.00.003	1	TAS APARATI MİLİ	Shaft of grinding stone
SBMS / D16	3/8 UNF GRESOR	1	3/8 UNF GRESÖR	3/8 Grease nipple
SBMS / D17	47.11.03.00.006	1	CIRCIR TUTAMAGI	Grinding adjuster
SBMS / D18	100SG.472 Ø40	1	Ø40 IC SEGMAN	Ø40 Ring DIN 472
SBMS / D19	48.11.03.00.004	1	TAS APARATI MİL SOMUNU	Nut for shaft



No	Referans / Reference	Adet / Qty	TÜRKÇE	ENGLISH
			Parça Adı	Description
SBMS / E1	48.14.01.00.000	1	SASE GOVDE KOMPLE	Chassis Complete
SBMS / E2	48.12.00.00.000	1	SANZIMAN BAGLANTI KUTUSU	Gearbox Connection
SBMS / E3	48.14.03.00.000	1	ORTA KOL KOMPLE	Third point Complete
SBMS / E4	48.14.05.00.000	1	UST CEKİP İMİ	Upper Drawing pin
SBMS / E5	48.14.04.00.000	1	ROMORK CEKİSİ KOMPLE	Trailer Hitch
SBMS / E6	01.04.01.07.000	1	ROMORK CEKİ PİMİ	Hitch Pin
SBMS / E7	48.14.02.00.000	2	CEKİ KULAGI KOMPLE	Connection Complete
SBMS / E8	48.14.00.00.007	2	ALT CEKİ PİMİ	Pin
SBMS / E9	48.14.02.00.001	2	CEKİ KULAGI BAGLANTI SACI	Connection plate
SBMS / E10	01.03.03.02.000	1	KUMANDA TABLASI	Command plate
SBMS / E11	01.04.01.05.000	1	AYAR ANAHTARI	Adjustment Tool
SBMS / E12	COMER T-22A	1	COMER T-22A SANZIMAN	Gearbox
SBMS / E13	48.14.06.00.000	1	SANZIMAN TABLASI	Gearbox support
SBMS / E14	48.14.00.00.006	1	SANZIMAN BAGLANTI SACI	Support plate
SBMS / E15	48.19.00.00.000	2	KİLİT KOMPLE	Lock complete
SBMS / E16	48.18.01.00.000	1	HAREKETLİ MUHAFAZA	Belt Cover
SBMS / E17	48.14.00.00.001	2	ARA SAC	Middle plate
SBMS / E18	48.20.00.00.000	1	AYAK PROFİLİ KOMPLE	Stand Jack
SBMS / E19	48.13.00.00.011	1	GOVDE SANZIMAN UST KAPAK	Gearbox upper cover
SBMS / E20	48.14.00.00.008	2	ISTAVROZ	Cross
SBMS / E21	48.14.00.00.009	1	ISTAVROZ ARA MİL	Cross shaft
SBMS / E22	48.14.00.00.004	2	MERKEZLEME PİMİ	Pin
SBMS / E23	100Y.Ø8x70	2	Ø8x70 YARIKLI PİM	Pivoting pin
SBMS / E24	48.14.00.00.003	2	BRONZ BURC	Bronze bush
SBMS / E25	48.14.00.00.002	2	ARA PUL	Spacer
SBMS / E26	48.14.00.00.005	2	YAGLAMA CİVATASI	Greasing bolt
SBMS / E27	3/8 UNF GRESOR	2	3/8 UNF GRESOR	3/8 Grease nipple

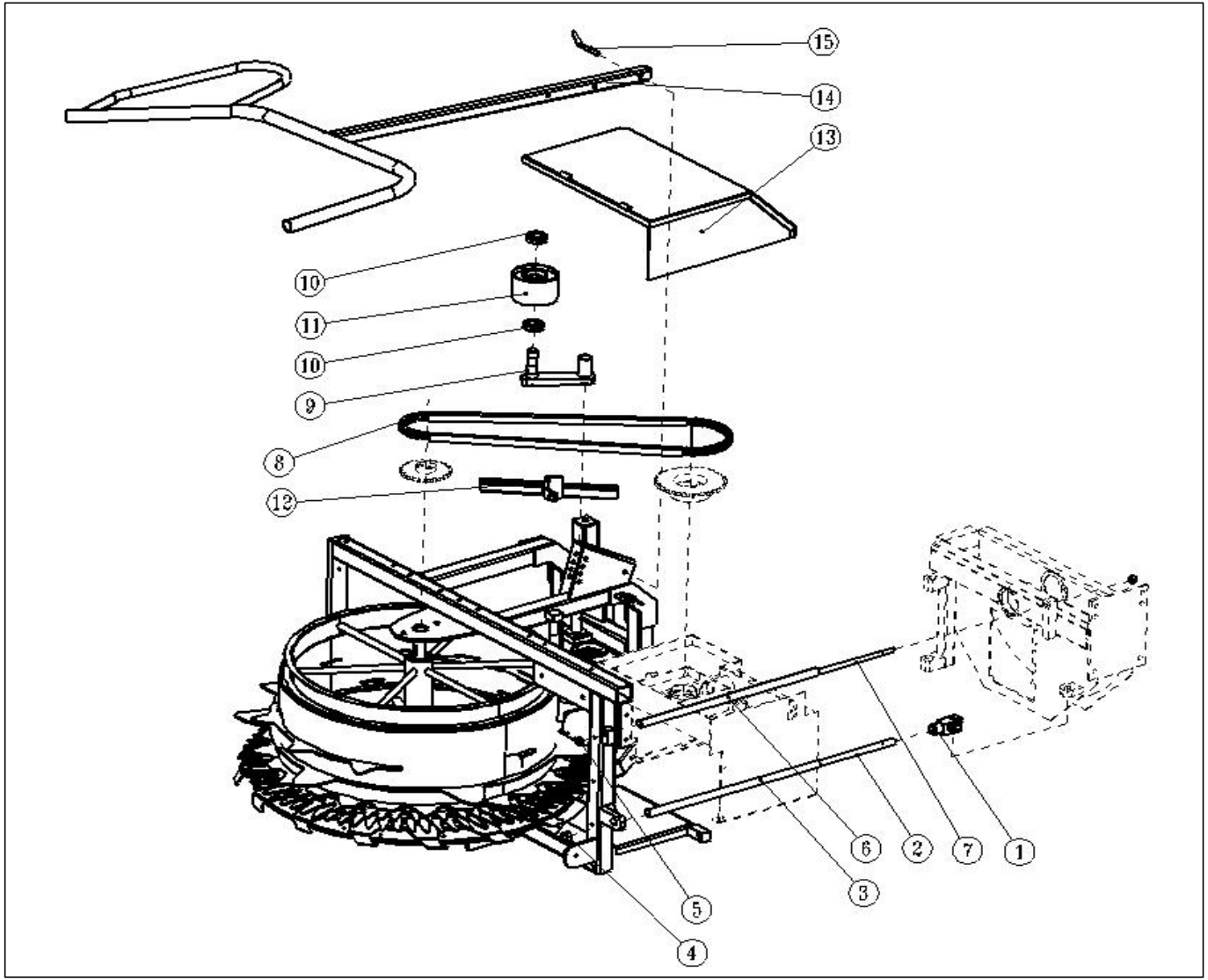


No	Referans / Reference	Adet / Qty	TÜRKÇE	ENGLISH
			Parça Adı	Description
SBMS / F1	48.16.02.00.000	1	İÇ TEKER PROFİLİ	Profile for tyre
SBMS / F2	48.16.01.00.000	1	TEKER GİJONU	Height adjustment screw for tyre
SBMS / F3	100R.51104 BUTE	1	51104 BUTE	51104 Bearing
SBMS / F4	48.16.05.00.000	1	CEVİRME KOLU KOMPLE	Lever for tyre adjustment
SBMS / F5	48.16.04.00.000	1	TEKER MİLİ KOMPLE	Tyre Shaft Complete
SBMS / F6	48.16.00.00.001	2	TEKER MİLİ POLYAMİD BURC	Polyamid bush for tyre
SBMS / F7	48.16.03.00.000	1	TEKER SABİTLEME PİMİ	Fixer pin
SBMS / F8	100C.M12x40	2	M12x40 CİVATA	M12x40 Bolt DIN 601
SBMS / F9	100S.M12 Somun	4	M12 SOMUN	M12 Nut DIN 934
SBMS / F10	100KC.Ø62xØ42x10	1	Ø62xØ42x10 KECE	Ø62xØ42x10 Seal
SBMS / F11	100R.6206	1	6206 RULMAN	6204 Bearing
SBMS / F12	48.16.00.00.002	1	TEKER POYRASI	Wheel hub
SBMS / F13	48.16.00.00.003	4	BİJON	Lug
SBMS / F14	3/8 Bijon somun	4	BİJON SOMUNU	Nut for lug
SBMS / F15	100R.6205	1	6205 RULMAN	6205 Bearing
SBMS / F16	7/8 Tacli Somun	1	7/8 TACLI SOMUN	Headed Nut
SBMS / F17	48.16.00.00.004	1	POYRA KAPAGI	Hub cover
SBMS / F18	100L.165/80 R13	1	165 / 80 R13 LASTİK ve JANT	165/80 R13 Tyre with wheel

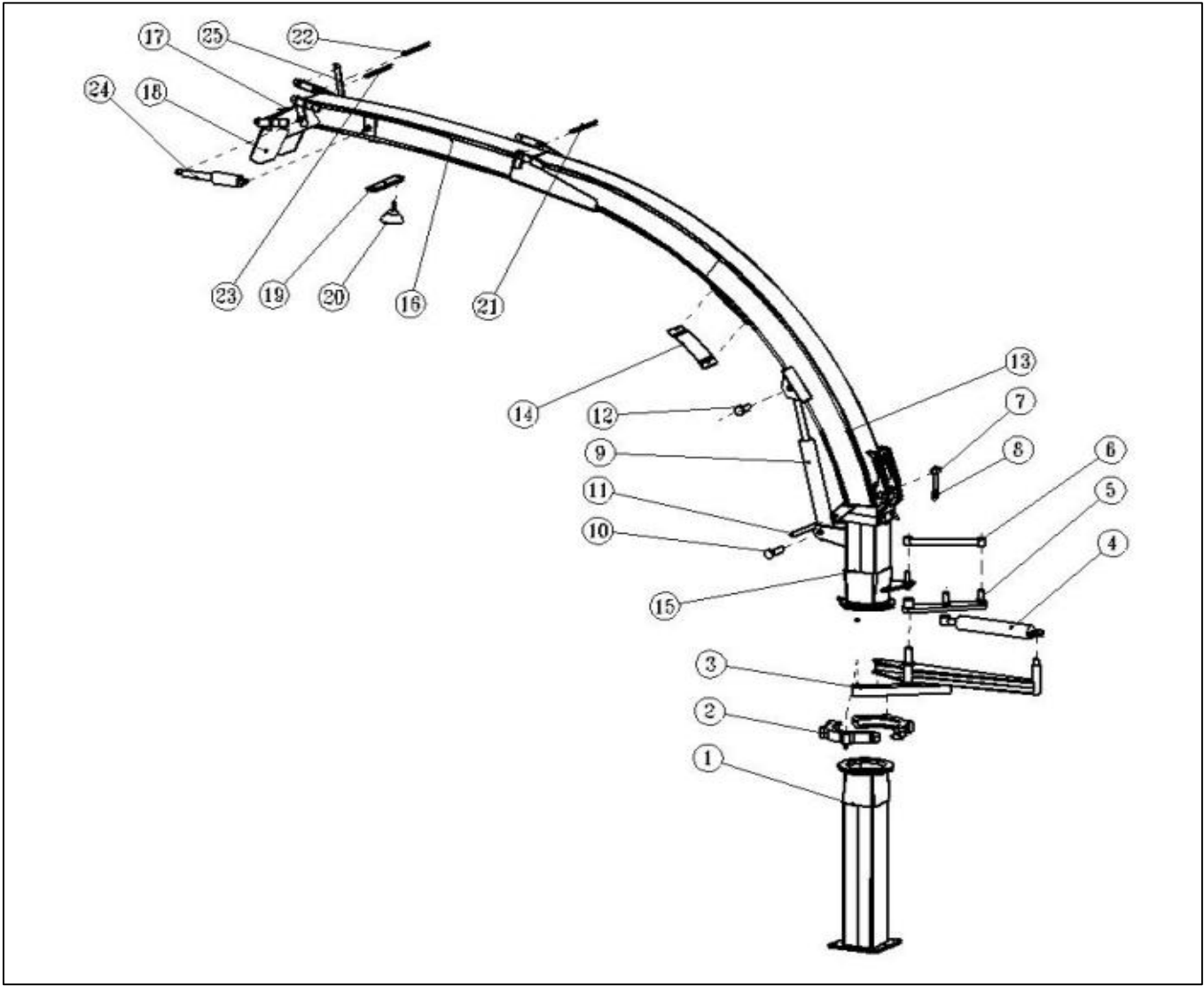


No	Referans / Reference	Adet / Qty	TÜRKÇE	ENGLISH
			Parça Adı	Description
SBMS / G1	48.02.01.00.000	1	TAMBUR KOMPLE	Big-Drum Complete
SBMS / G2	48.01.00.00.000	1	TAMBUR KASASI KOMPLE	Big-Drum Housing Complete
SBMS / G3	100R.6207	1	6207 RULMAN	6207 Bearing
SBMS / G4	48.02.02.00.000	1	BICAK BAGLANTI FLANSI KOMPLE	Flange for Knife Support
SBMS / G5	48.02.00.00.004	1	BICAK ALT SAC	Knife Support
SBMS / G6	48.02.00.00.005	6	KESİCİ BICAK	Cutter Knives
SBMS / G7	100R.6207	1	6207 RULMAN	6207 Bearing
SBMS / G8	48.02.00.00.002	1	Z25 3/4" ZİNCİR DİSLİ	Z25 3/4" Gear
SBMS / G9	100R.UCFL 207	2	UCFL 207 YATAK	UCFL 207 Bearing
SBMS / G10	48.02.00.00.001	1	ÜST YATAKLAMA SACI	Support sheet for shaft
SBMS / G11	48.02.00.00.006	1	TAMBUR MİLİ	Shaft of Big-Drum
SBMS / G12	48.06.00.00.000	1	TAMBUR MUHAFAZA	Big-Drum Cover
SBMS / G13	48.09.00.00.000	1	SIYIRICI KOMPLE	Scraper for Big-Drum Complete
SBMS / G14	48.18.00.00.002	1	CEP SACI	Small housing sheet metal
SBMS / G15	48.10.00.00.007	1	MERDANE KAPATICI YAN SAC	Small housing side sheet metal
SBMS / G16	48.07.00.00.000	1	YATIRMA GRUBU	Arrowheads
SBMS / G17	48.10.00.00.008	1	ALT KİTLEME PİMİ	Locking pin bottom
SBMS / G18	48.03.00.00.000	1	SAG BOYNUZ	Right Wall
SBMS / G19	48.05.00.00.000	2	BOYNUZ UCU KOMPLE	Wall shoe Complete
SBMS / G20	48.04.00.00.000	1	SOL BOYNUZ	Left Wall
SBMS / G21	48.17.01.00.000	1	ZİNCİR GERGİSİ KOMPLE	Chain tightening adjuster
SBMS / G22	100R.6206Z	2	6206Z RULMAN	6206Z Bearing
SBMS / G23	48.17.00.00.001	1	Z20 3/4" ZİNCİR DİSLİ	Z20 3/4" Gear
SBMS / G24	48.18.00.00.001	1	ORTA MUHAFAZA SACI	Cover Sheet for drum

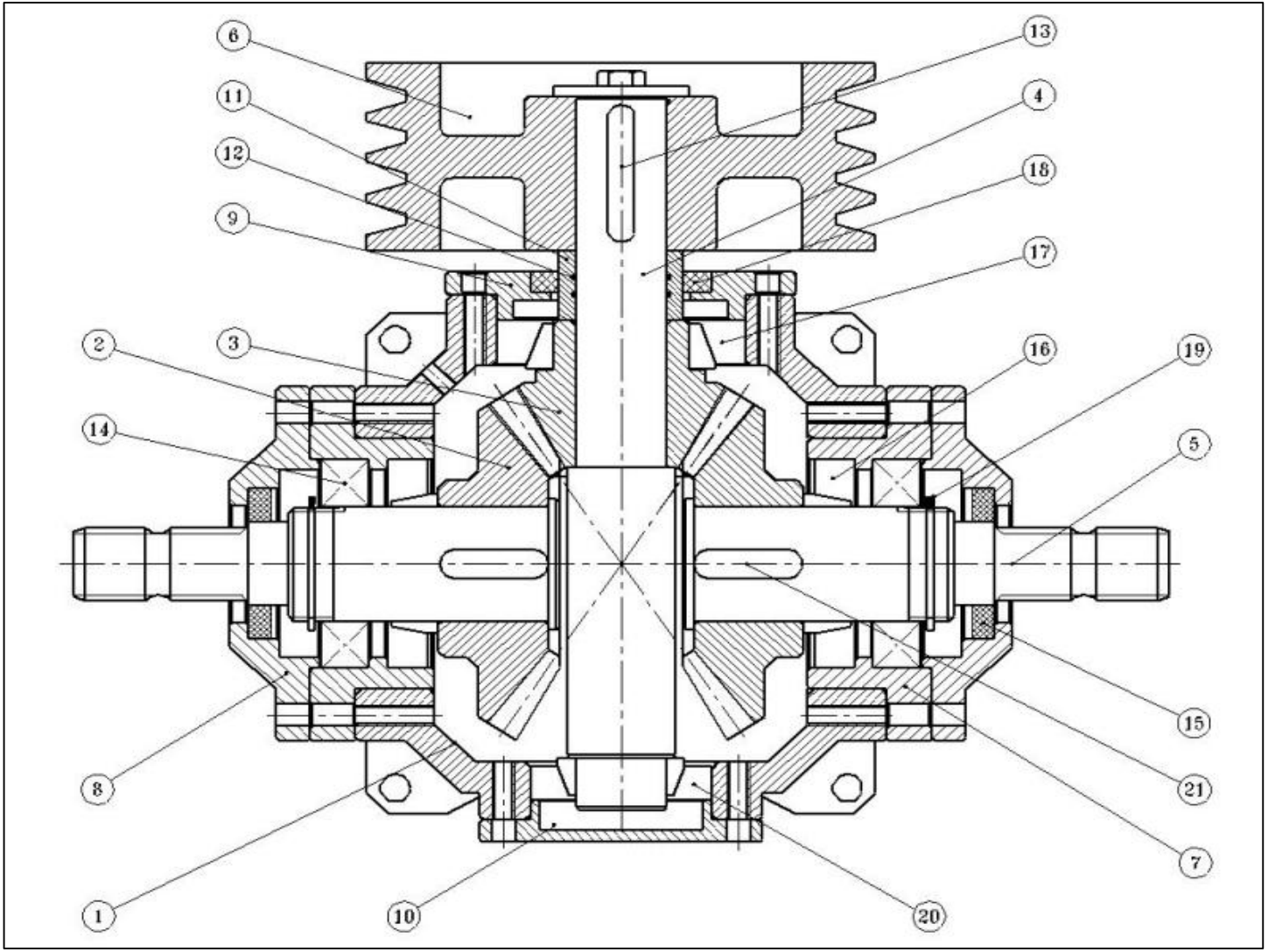




No	Referans / Reference	Adet / Qty	TÜRKÇE	ENGLISH
			Parça Adı	Description
SBMS / H1	48.10.00.00.010	1	GERGİ UCU	Tightener head
SBMS / H2	48.10.00.00.009	1	M20 GERGİ GİJONU	M20 Tightening screw
SBMS / H3	48.10.00.00.012	1	M20 GİJON BORUSU	M20 Tightening pipe
SBMS / H4	100S.M20	1	M20 SOMUN	M20 Nut DIN 934
SBMS / H5	100S.M16	1	M16 SOMUN	M16 Nut DIN 934
SBMS / H6	48.10.00.00.013	1	M16 GİJON BORUSU	M16 Tightening pipe
SBMS / H7	48.10.00.00.011	1	M16 GERGİ GİJONU	M16 Tightening screw
SBMS / H8	SBMS/H8 3/4"	1	3/4" ZİNCİR	3/4" Chain
SBMS / H9	48.17.02.00.000	1	KAYIS GERGİSİ KOMPLE	Belt
SBMS / H10	100R.6206Z	2	6206Z RULMAN	6206Z Bearing
SBMS / H11	48.17.00.00.002	1	GERGİ MAKARASI	Tension pulley
SBMS / H12	48.18.03.00.000	1	ZİNCİR KIZAK GRUBU	Chain guide
SBMS / H13	48.18.02.00.000	1	MENTESELİ MUHAFAZA	Cover with pin
SBMS / H14	48.08.00.00.000	1	ON YATIRICI BOYNUZ	Maize Guider
SBMS / H15	48.08.00.00.005	2	ON YATIRICI BOYNUZ PİMİ	Maize Guider pin



No	Referans / Reference	Adet / Qty	TÜRKÇE	ENGLISH
			Parca Adı	Description
SBMS / I1	48.15.01.00.000	1	ALT BACA KOMPLE	Lower Chute Complete
SBMS / I2	48.15.03.00.001	2	DONER FLANS	Turning guide
SBMS / I3	48.15.03.01.000	1	PİSTON BAĞLANTI GRUBU	Hyd. Piston connection
SBMS / I4	48.15.03.00.002	1	DONDURME PİSTONU	Chute Turning Piston
SBMS / I5	48.15.03.03.000	1	HAREKET İLETME KOMPLE	Piston Connector Complete
SBMS / I6	48.15.03.02.000	1	PİSTON ARA BORU KOMPLE	Piston Rod Complete
SBMS / I7	48.15.00.00.003	2	BACA KELEPÇE MİLİ	Chute Lock Shaft
SBMS / I8	48.15.08.00.000	2	BACA KİTLEME GİJONU	Chute Lock Screw
SBMS / I9	48.15.00.00.002	1	BACA PİSTONU	Chute Lifting Piston
SBMS / I10	48.15.00.00.004	1	BACA PİSTONU ALT PİM	Lifting piston lower pin
SBMS / I11	48.15.00.00.005	1	BACA SABİTLEME PİMİ	Chute fixing pin
SBMS / I12	48.15.00.00.006	1	BACA PİSTONU UST PİMİ	Lifting piston upper pin
SBMS / I13	48.15.04.00.000	1	UST BACA KOMPLE	Upper Chute Complete
SBMS / I14	48.15.00.00.008	1	TEMİZLEME KAPAGI	Cleaning Box Cover
SBMS / I15	48.15.02.00.000	1	BACA ARA ADAPTORU	Chute Middle Pipe
SBMS / I16	48.15.05.00.000	1	BACA İLAVE KOMPLE	Chute Extension Complete
SBMS / I17	48.15.06.00.000	1	ARKA SAPKA KOMPLE	Chute Back Guide
SBMS / I18	48.15.07.00.000	1	ON SAPKA KOMPLE	Chute Front Guide
SBMS / I19	48.15.00.00.007	1	FAR BAĞLANTI LAMASI	Headlight connector
SBMS / I20	SBMS / 20	1	FAR	Headlight
SBMS / I21	48.15.00.00.009	1	İLAVE BAĞLANTI PİMİ	Extension Connection Pin
SBMS / I22	48.15.00.00.010	1	ARKA SAPKA BAĞLANTI PİMİ	Back guide connection pin
SBMS / I23	48.15.00.00.011	1	ON SAPKA BAĞLANTI PİMİ	Front guide connection pin
SBMS / I24	48.15.00.00.001	1	SAPKA PİSTONU	Chute guide piston
SBMS / I25	48.15.00.00.012	1	SAPKA BAĞLANTI SİLMESİ	Guide connection plate



No	Referans / Reference	Adet / Qty	TÜRKÇE	ENGLISH
			Parça Adı	Description
SBMS / J1	48.13.00.00.001	1	SANZIMAN_GOVDESI	Gearbox Body
SBMS / J2	48.13.00.00.002	2	Z23_CARK_KONİK_DİSLİ	Z23 Bevel Gear
SBMS / J3	48.13.00.00.003	1	Z15_CARK_KONİK_DİSLİ	Z15 Bevel Gear
SBMS / J4	48.13.00.00.004	1	SAFT_MİLİ	Outlet Shaft
SBMS / J5	48.13.00.00.005	2	CIKIS_MİLİ	Inlet Shaft
SBMS / J6	48.13.00.00.006	1	GOVDE_SANZIMAN_KASNAGI	Pulley of Gearbox
SBMS / J7	48.13.00.00.007	2	SANZIMAN YATAGI	Housing
SBMS / J8	48.13.00.00.008	2	YAN KAPAK	Side cover
SBMS / J9	48.13.00.00.009	1	ÖN KAPAK	Front cover
SBMS / J10	48.13.00.00.010	1	ARKA KAPAK	Back cover
SBMS / J11	48.13.00.00.012	1	ORİNG_BURCU	Oring bush
SBMS / J12	100CN.Ø40x3	2	Ø40x3 ORİNG	Ø40x3 Oring
SBMS / J13	100KM.8x12x55	1	8x12x55 KAMA	8x12x55 mm Key
SBMS / J14	100R.6211	2	6211 SABİT BİLYALI RULMAN	6211 Bearing
SBMS / J15	100KC.Ø72xØ50x10	2	Ø72xØ50x10 KECE	Ø72xØ50x10 Seal
SBMS / J16	100R.30211	2	30211 KONİK BİLYALI RULMAN	30211 Bearing
SBMS / J17	100R.30212	1	30212 KONİK BİLYALI RULMAN	30212 Bearing
SBMS / J18	100KC.Ø72xØ40x10	1	Ø72xØ40x10 KECE	Ø72xØ40x10 Seal
SBMS / J19	100SG.471 Ø55x3	2	Ø55x3 SEGMAN	Ø55x3 Ring DIN 471
SBMS / J20	100R.30208	1	30208 KONİK BİLYALI RULMAN	30208 Bearing
SBMS / J21	100KM.9x14x46	2	9x14x46 KAMA	9x14x46 mm Key